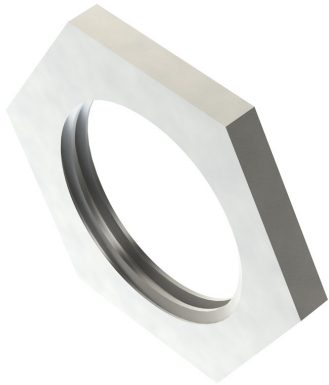


**PRODUCT CODE: LN40G**  
LOCK NUT



**DESCRIPTION**

40mm Lock Nut - Light Pattern

**FINISH**

BZP

**MATERIAL**

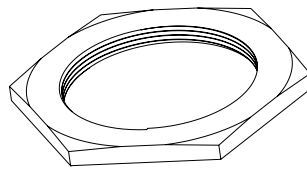
Steel

**PACKAGING**

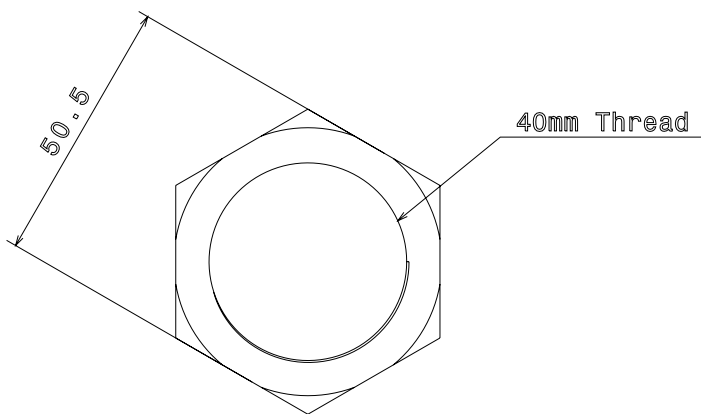
Packed in qty 50

**ADDITIONAL NOTES**

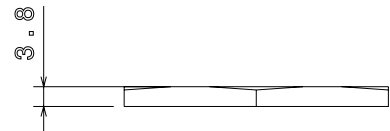
Conforms to BS EN61386-1  
Compliant to LU Standard 1-085 (for use on surface & sub-surface locations)



Isometric view



Top view



Side view